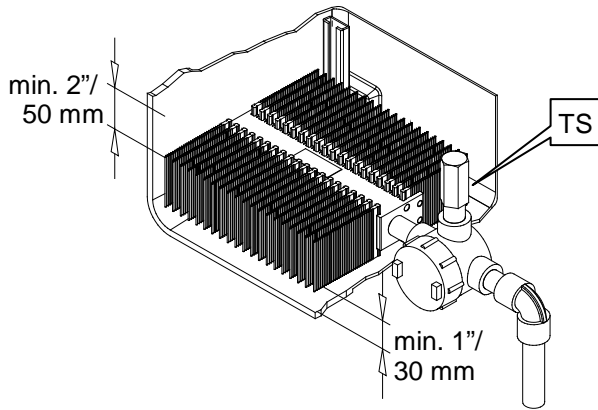


CP VARITHERM CPA ... Electric heater

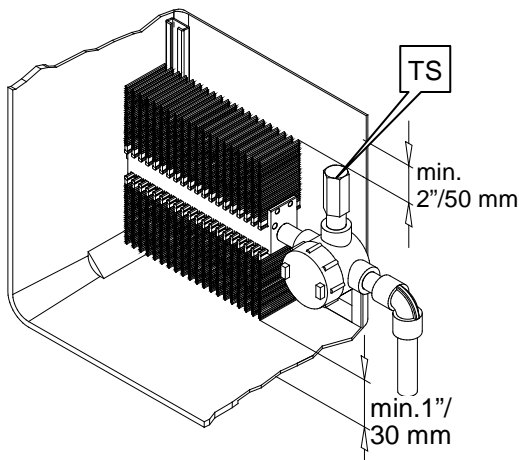


8 Installation

8.1 horizontal (recommended)

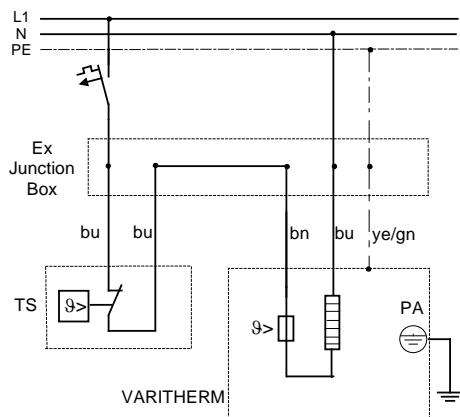


8.2 vertical



Note: The convection is about 20% less at vertical installation. Due to earlier switching of the thermostat the effective heating power may be lower.

9 Electric Wiring



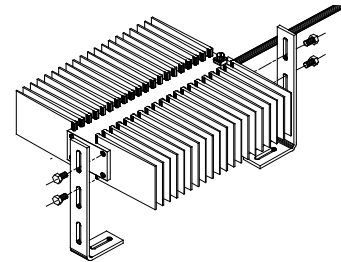
bu=blue bn=brown ye/gn=yellow/green bk=black gy=grey

10 Installation of the VARITHERM heater

When installing the heater, please make sure that the label remains clearly legible.

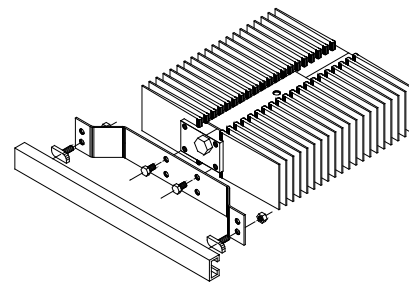
Trouble-free installation, e.g. on a mounting plate or the INTERTEC mounting system (C-rails) in the instrument enclosures or protective cabinets, is possible.

With two mounting brackets in plated steel

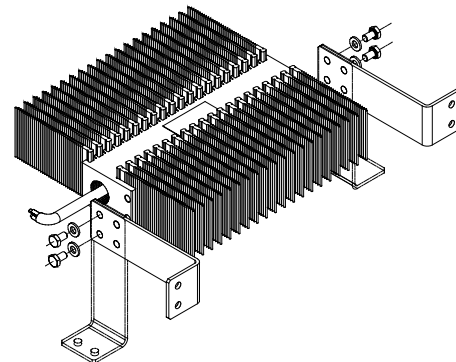


The brackets and mounting bolts illustrated above are included with the heater.

With one stainless steel mounting bracket (MB)



With two stainless steel mounting brackets (MW)



The MB or MW mounting brackets can be ordered as options.

